

TZ 120

Cylindrical work samples with slanted cut-outs



The illustration shows the device and the GUNT Media Center on a tablet (not included).

Description

- **collection of geometric models providing an introduction to technical drawing**
- **systematically graduated degrees of difficulty**
- **multimedia instructional materials online in GUNT Media Center**

The geometric models support the learning process by providing an introduction to technical drawings: from the solid model to the more abstract representation of the three views in a technical drawing.

The TZ 120 set contains 18 aluminium drawing models. The cylindrical models have cut-outs parallel to, and at an angle to, the main axis. The models are precision-manufactured and are suitable for measurement exercises as well as drawing exercises.

For optimal learning, it is recommended that students work independently from each other on these exercises. Two students can easily work with one model set.

The models are clearly laid out on a tray. Multiple trays are stackable, providing for space-saving storage.

The contemporary multimedia instructional materials are available online in the GUNT Media Center. The core element of the teaching materials is a complete set of drawings for each model. It consists of files with 3-dimensional images, drawings without dimensions and drawings including given dimensions as well as tasks.

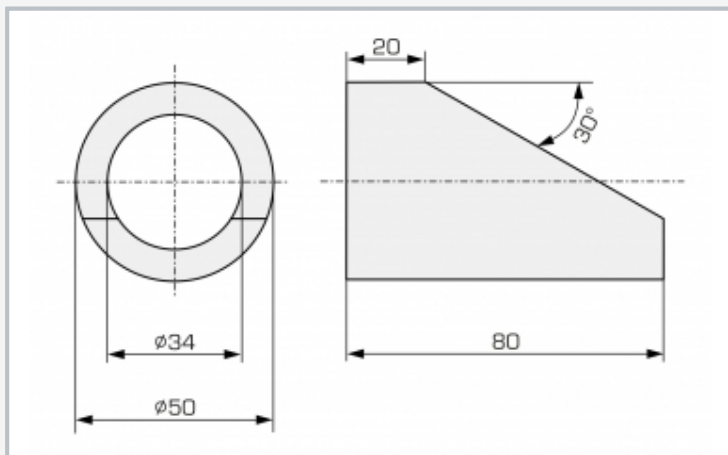
The set of drawings consists of DXF files, STEP files and PDF files.

Learning objectives/experiments

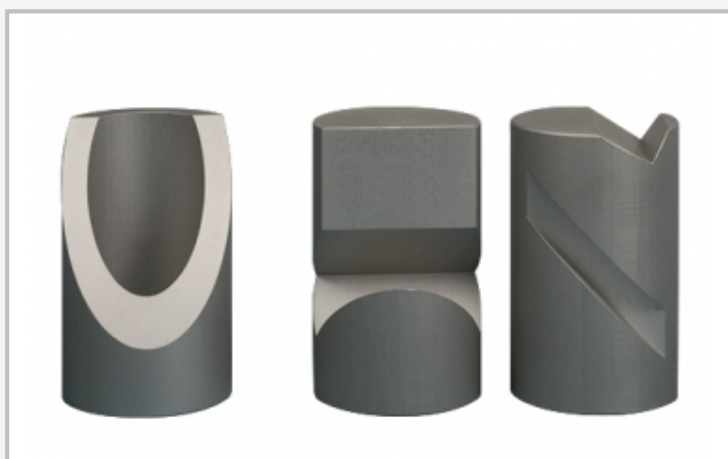
- familiarisation with three-dimensional views as the basis of technical drawing
- step-by-step development of three-dimensional visualisation: from the solid model to the more abstract views in a technical drawing
- systematic familiarisation with a wide range of features on cylindrical base forms
- exercises in production-oriented and standard dimensioning
- measurement exercises: outer dimensions, inner dimensions, angles, tolerances

TZ 120

Cylindrical work samples with slanted cut-outs



Dimensional drawing of model no. 6



Left: model no. 6; centre: model no. 10; right: model no. 16

Specification

- [1] model set providing an introduction to technical drawing
- [2] set of 18 cylindrical models, made from aluminium, with anodised finish
- [3] models with slanted cut-outs
- [4] finely graduated degrees of difficulty within the model series
- [5] all parts clearly laid out on a practical tray
- [6] multiple trays stackable
- [7] precision manufacture of the models enables measurement exercises
- [8] lesson-supporting instructional material
- [9] multimedia instructional materials: PDF, DXF files, STEP files
- [10] online access to the GUNT Media Center

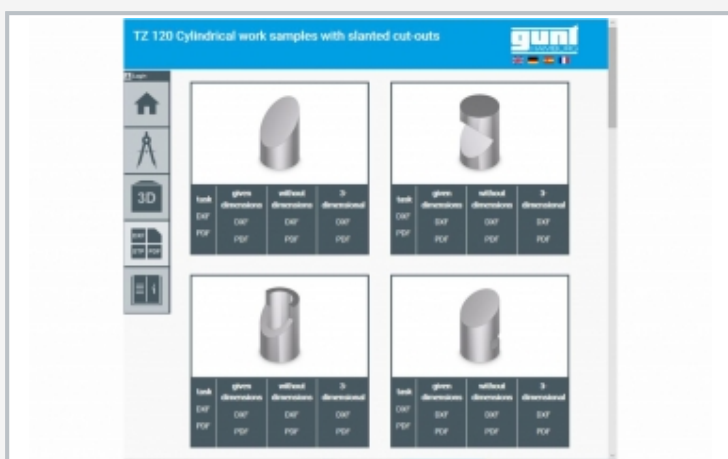
Technical data

Dimensions of each model
 ■ approx. DxH: 50x80mm

LxWxH: 600x400x140mm (tray)
 Weight: approx. 9kg

Scope of delivery

- 1 tray with cut-out foam inlay
- 18 geometric models
- 1 set of instructional material



Screenshot of the GUNT Media Center